

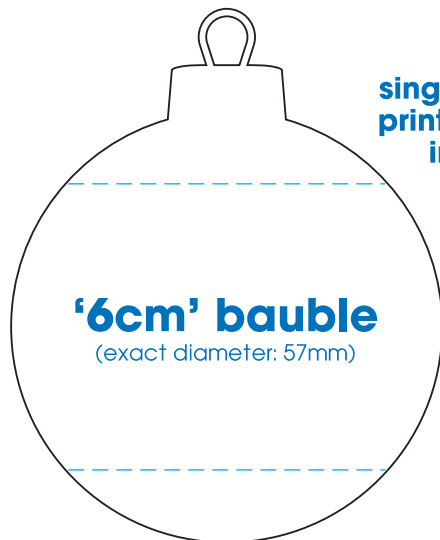
business baubles  
the grotto  
70 sandfield road  
oxford ox3 7rl



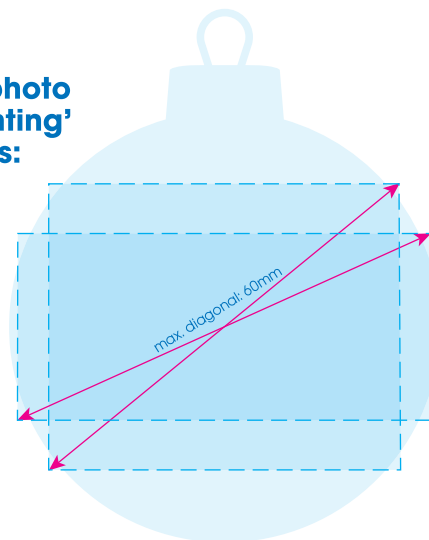
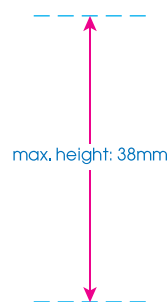
# technical specifications

'6cm' bauble

[www.businessbaubles.com](http://www.businessbaubles.com)

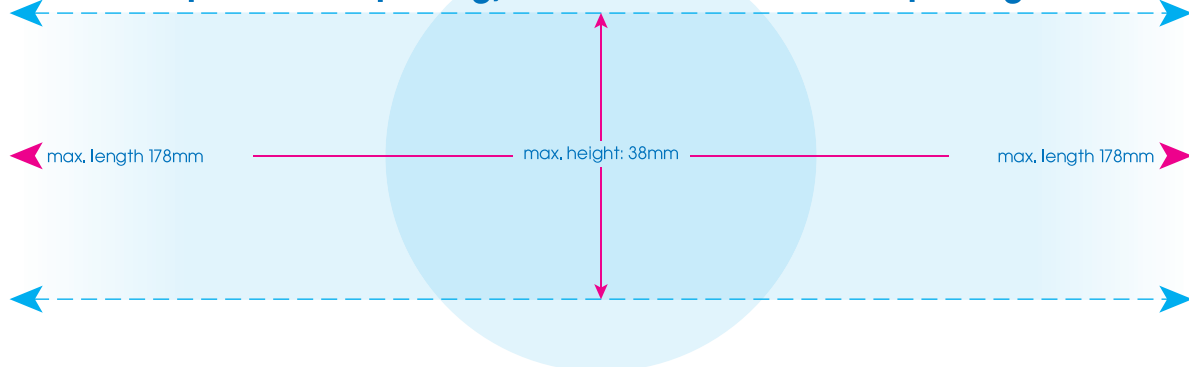


single image, text or photo  
print area for 'pad printing'  
in 2 or more colours:



single image, text or photo printing areas (for front and/or back):  
max. diagonal: 60mm, max. height: 38mm

or for simple 1 colour printing, the all around 'silk screen printing' area is:



'all around' print area: max. 38mm height x 178mm length

## what do we need from you:

1. your logo/graphics in a digital form,  
ideally .eps format\* (if not; .jpg or .fh8),  
min. resolution: 300 dpi at final size.

2. confirm the size that the  
image, text or logo is to be  
printed on the bauble.

3. confirm the pantone® colour(s)  
for the bauble (base colour) and  
graphics being printed onto it.

\* ideally adobe illustrator .eps format saved back to version CS1 (v.11) if possible (embed graphics, outline all fonts).

**t: +44 (0)1865 744 711 | e: [sales@businessbaubles.com](mailto:sales@businessbaubles.com)**

**delivery:** to one uk address (rates vary) | **terms:** payment with order | **vat:** all uk orders subject to vat @ 15%

• finest quality • low minimum order quantities • 4-6 weeks lead time • made in the eu



business baubles  
the grotto  
70 sandfield road  
oxford ox3 7rl



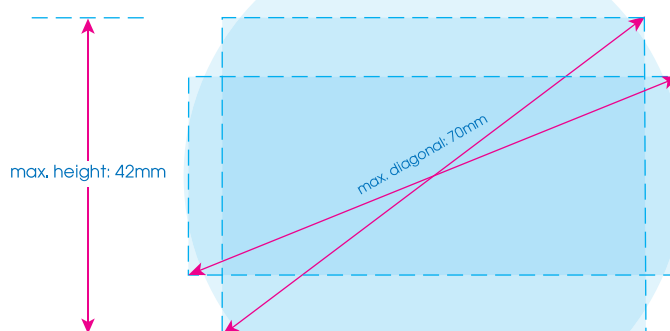
# technical specifications

'7cm' bauble

[www.businessbaubles.com](http://www.businessbaubles.com)

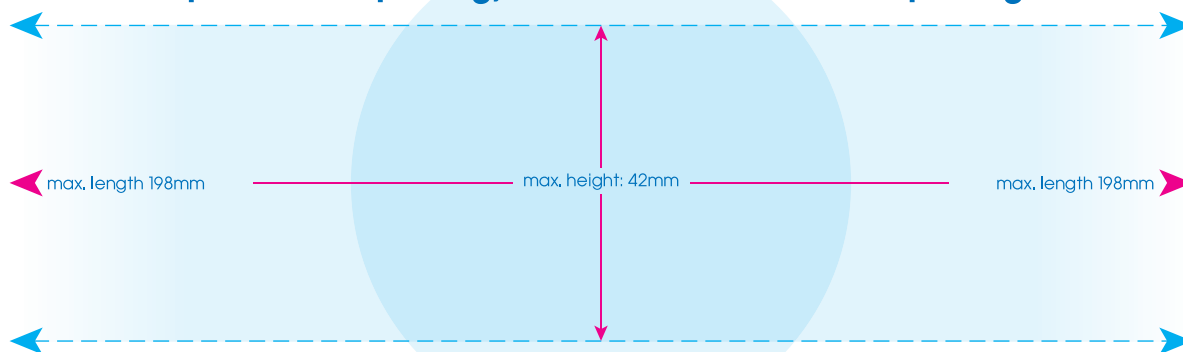


single image, text or photo  
print area for 'pad printing'  
in 2 or more colours:



single image, text or photo printing areas (for front and/or back):  
max. diagonal: 70mm, max. height: 42mm

or for simple 1 colour printing, the all around 'silk screen printing' area is:



'all around' print area: max. 42mm height x 198mm length

## what do we need from you:

1. your logo/graphics in a digital form, ideally .eps format\* (if not; .jpg or .fh8), min. resolution: 300 dpi at final size.
2. confirm the size that the image, text or logo is to be printed on the bauble.
3. confirm the pantone® colour(s) for the bauble (base colour) and graphics being printed onto it.

\* ideally adobe illustrator .eps format saved back to version CS1 (v.11) if possible (embed graphics, outline all fonts).

**t: +44 (0)1865 744 711 | e: [sales@businessbaubles.com](mailto:sales@businessbaubles.com)**

**delivery:** to one uk address (rates vary) | **terms:** payment with order | **vat:** all uk orders subject to vat @ 15%

• finest quality • low minimum order quantities • 4-6 weeks lead time • made in the eu



business baubles  
the grotto  
70 sandfield road  
oxford ox3 7rl

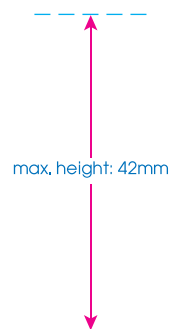
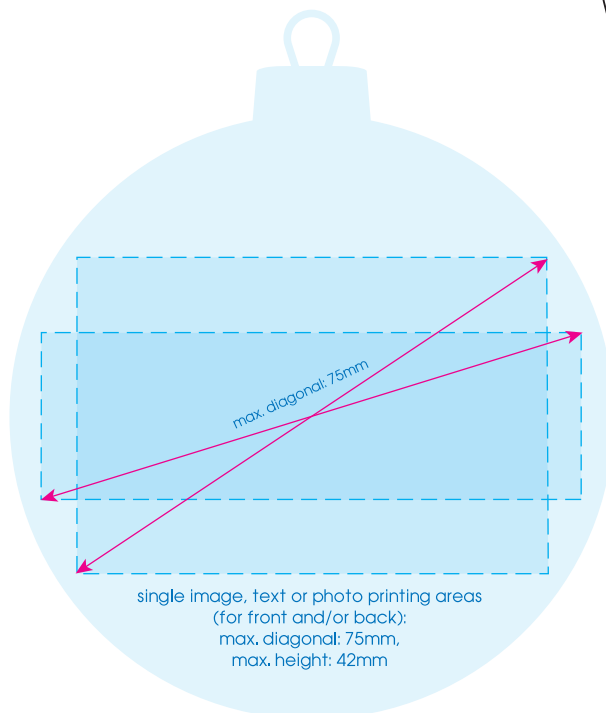


## technical specifications

'8cm' bauble (by pad printing)

[www.businessbaubles.com](http://www.businessbaubles.com)

single image, text or photo  
print area for 'pad printing'  
in 2 or more colours:



### what do we need from you:

1. your logo/graphics in a digital form, ideally .eps format\* (if not; .jpg or .fh8), min. resolution: 300 dpi at final size.
2. confirm the size that the image, text or logo is to be printed on the bauble.
3. confirm the pantone® colour(s) for the bauble (base colour) and graphics being printed onto it.

\* ideally adobe illustrator .eps format saved back to version CS1 (v.11) if possible (embed graphics, outline all fonts).

**t: +44 (0)1865 744 711 | e: [sales@businessbaubles.com](mailto:sales@businessbaubles.com)**

**delivery:** to one uk address (rates vary) | **terms:** payment with order | **vat:** all uk orders subject to vat @ 15%

• finest quality • low minimum order quantities • 4-6 weeks lead time • made in the eu 

business baubles  
the grotto  
70 sandfield road  
oxford ox3 7rl

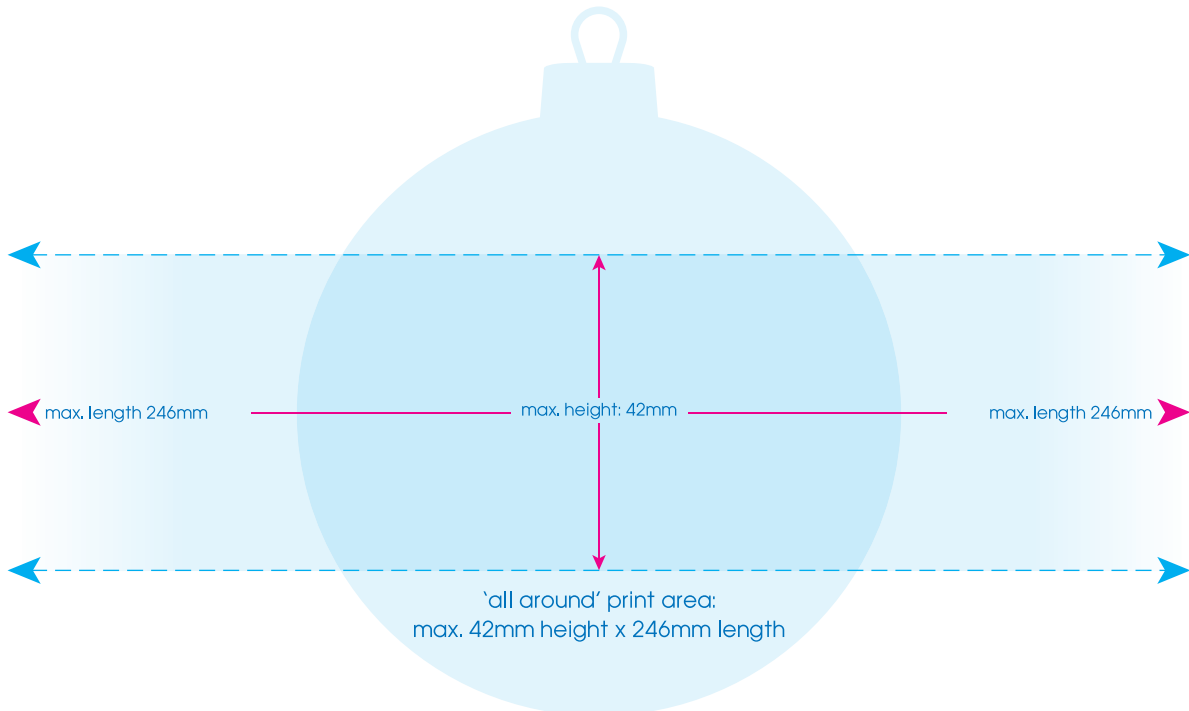


## technical specifications

'8cm' bauble (by silk screen printing)

[www.businessbaubles.com](http://www.businessbaubles.com)

or for simple 1 colour printing,  
the all around 'silk screen printing' area is:



### '8cm' bauble

(exact diameter: 80mm)

#### what do we need from you:

1. your logo/graphics in a digital form, ideally .eps format\* (if not; .jpg or .fh8). min. resolution: 300 dpi at final size.
2. confirm the size that the image, text or logo is to be printed on the bauble.
3. confirm the pantone® colour(s) for the bauble (base colour) and graphics being printed onto it.

\* ideally adobe illustrator .eps format saved back to version CS1 (v.11) if possible (embed graphics, outline all fonts).

**t: +44 (0)1865 744 711 | e: [sales@businessbaubles.com](mailto:sales@businessbaubles.com)**

**delivery:** to one uk address (rates vary) | **terms:** payment with order | **vat:** all uk orders subject to vat @ 15%

• finest quality • low minimum order quantities • 4-6 weeks lead time • made in the eu 