

snowglobes.co.uk  
the grotto  
70 sandfield road  
oxford ox3 7rl

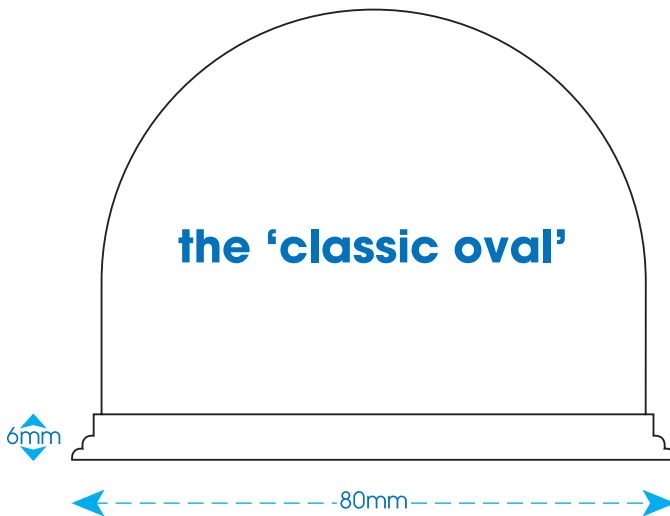


# technical specifications

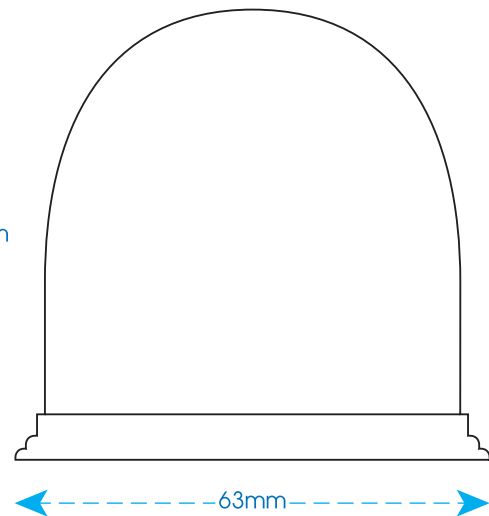
for the 'classic oval' snowglobe

[www.snowglobes.co.uk](http://www.snowglobes.co.uk)

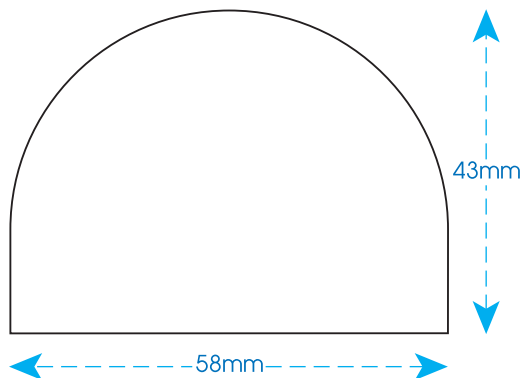
overall dimensions (front/back view):



overall dimensions (side view):



insert dimensions:



## what do we need from you:

1. your logo/graphics in a digital form, ideally .eps format\* (if not; .jpg or .fh8). min. resolution: 300 dpi at final size.
2. confirm the size that the image, text or logo is to be printed on the snowglobe.
3. confirm any pantone® colour(s) for the graphics/logos going on the insert and/or on the base.

\* ideally adobe illustrator .eps format saved back to version CS1 (v.11) if possible (embed graphics, outline all fonts).

**t: +44 (0)1865 744 711 | e: [sales@snowglobes.co.uk](mailto:sales@snowglobes.co.uk)**

**delivery:** to one uk address (rates vary) | **terms:** payment with order | **vat:** all UK orders subject to vat @ 17.5%

• finest quality • low minimum order quantities • 4-6 weeks lead time • made in the eu 

snowglobes.co.uk  
the grotto  
70 sandfield road  
oxford ox3 7rl

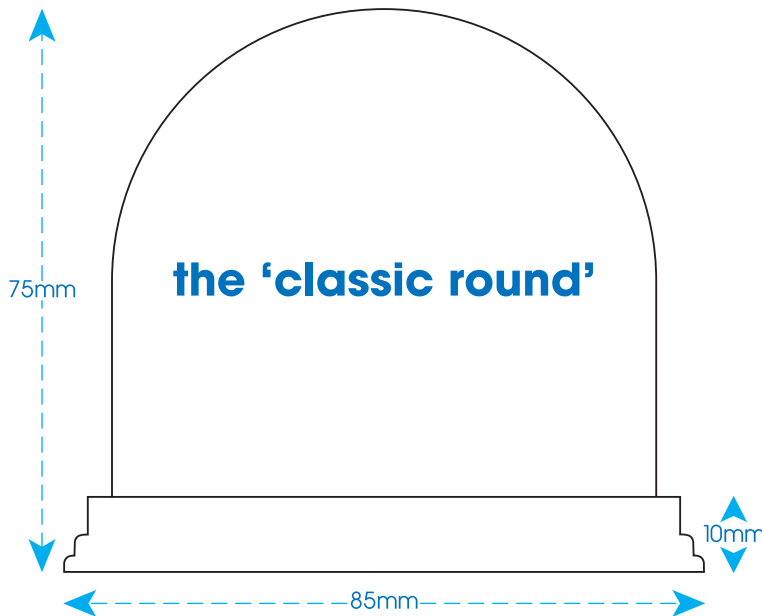


# technical specifications

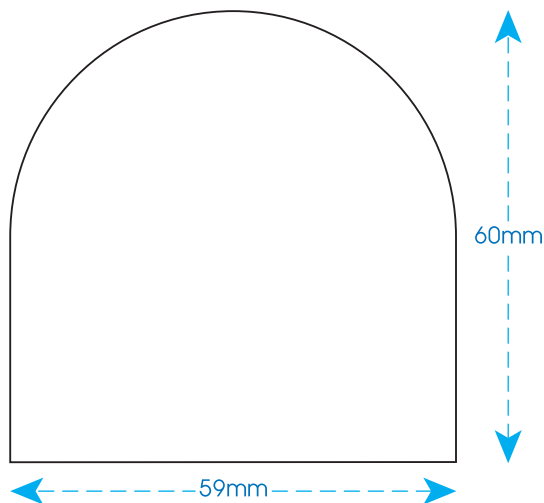
for the 'classic round' snowglobe

[www.snowglobes.co.uk](http://www.snowglobes.co.uk)

overall dimensions:



insert dimensions:



## what do we need from you:

1. your logo/graphics in a digital form, ideally .eps format\* (if not; .jpg or .fh8). min. resolution: 300 dpi at final size.
2. confirm the size that the image, text or logo is to be printed on the snowglobe.
3. confirm any pantone® colour(s) for the graphics/logos going on the insert and/or on the base.

\* ideally adobe illustrator .eps format saved back to version CS1 (v.11) if possible (embed graphics, outline all fonts).

**t: +44 (0)1865 744 711 | e: [sales@snowglobes.co.uk](mailto:sales@snowglobes.co.uk)**

**delivery:** to one uk address (rates vary) | **terms:** payment with order | **vat:** all UK orders subject to vat @ 17.5%

• finest quality • low minimum order quantities • 4-6 weeks lead time • made in the eu



snowglobes.co.uk  
the grotto  
70 sandfield road  
oxford ox3 7rl

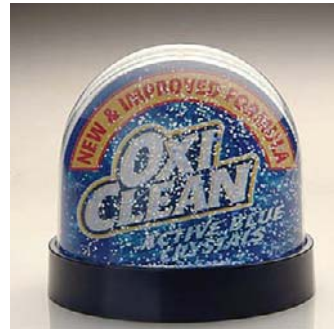
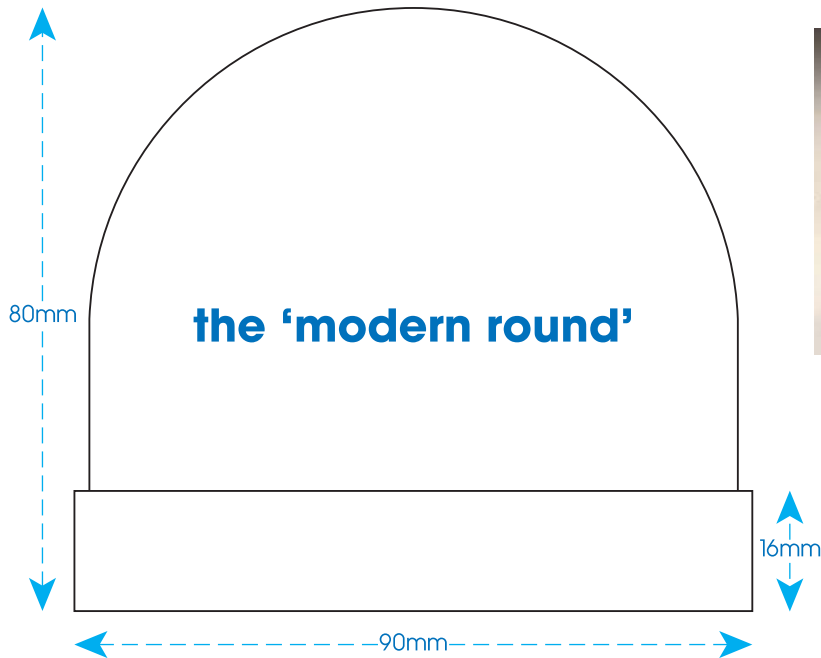


# technical specifications

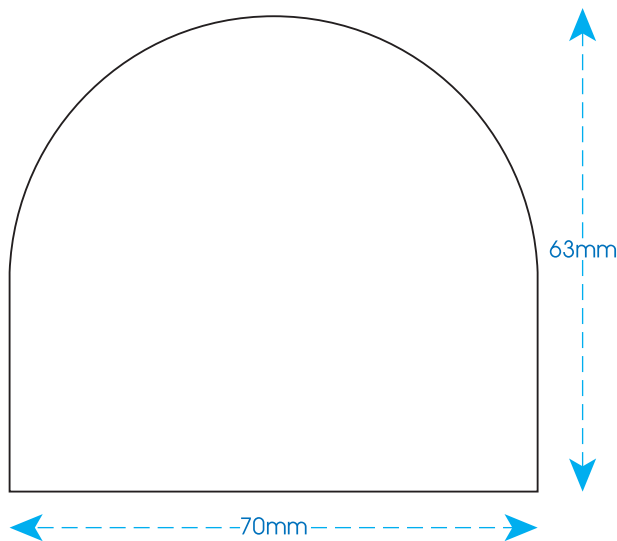
for the 'modern round' snowglobe

[www.snowglobes.co.uk](http://www.snowglobes.co.uk)

overall dimensions:



insert dimensions:



## what do we need from you:

1. your logo/graphics in a digital form, ideally .eps format\* (if not; .jpg or .fh8). min. resolution: 300 dpi at final size.

2. confirm the size that the image, text or logo is to be printed on the snowglobe.

3. confirm any pantone® colour(s) for the graphics/logos going on the insert and/or on the base.

\* ideally adobe illustrator .eps format saved back to version CS1 (v.11) if possible (embed graphics, outline all fonts).

**t: +44 (0)1865 744 711 | e: [sales@snowglobes.co.uk](mailto:sales@snowglobes.co.uk)**

**delivery:** to one uk address (rates vary) | **terms:** payment with order | **vat:** all UK orders subject to vat @ 17.5%

• finest quality • low minimum order quantities • 4-6 weeks lead time • made in the eu



snowglobes.co.uk  
the grotto  
70 sandfield road  
oxford ox3 7rl

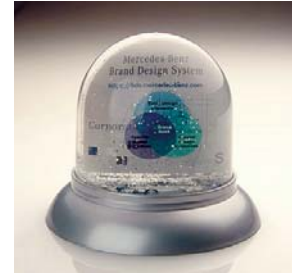
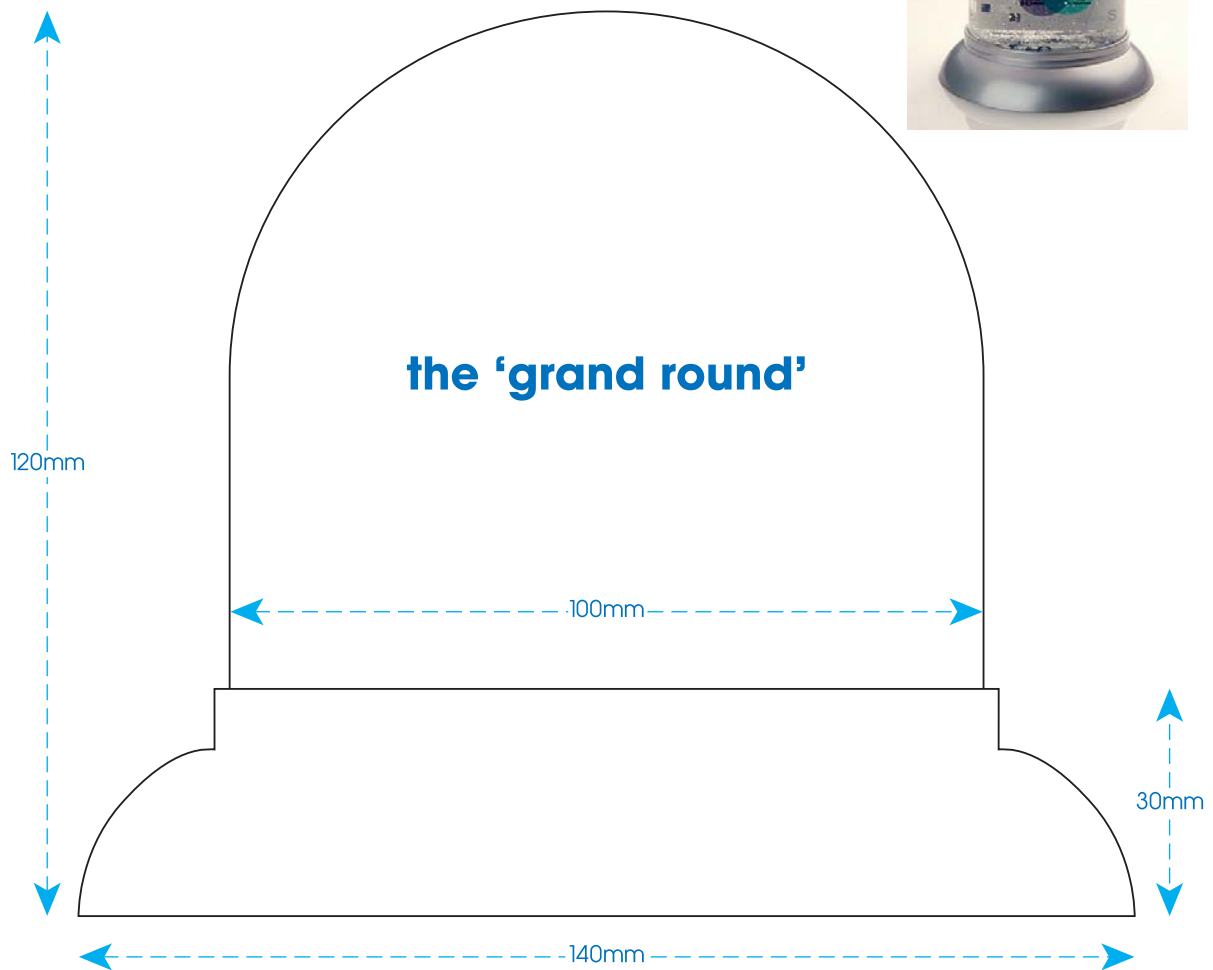


# technical specifications

for the 'grand round' snowglobe

[www.snowglobes.co.uk](http://www.snowglobes.co.uk)

overall dimensions:



## what do we need from you:

1. your logo/graphics in a digital form, ideally .eps format\* (if not; .jpg or .fh8). min. resolution: 300 dpi at final size.
2. confirm the size that the image, text or logo is to be printed on the snowglobe.
3. confirm any pantone® colour(s) for the graphics/logos going on the insert and/or on the base.

\* ideally adobe illustrator .eps format saved back to version CS1 (v.11) if possible (embed graphics, outline all fonts).

**t: +44 (0)1865 744 711 | e: [sales@snowglobes.co.uk](mailto:sales@snowglobes.co.uk)**

**delivery:** to one uk address (rates vary) | **terms:** payment with order | **vat:** all UK orders subject to vat @ 17.5%

• finest quality • low minimum order quantities • 4-6 weeks lead time • made in the eu 

snowglobes.co.uk  
the grotto  
70 sandfield road  
oxford ox3 7rl

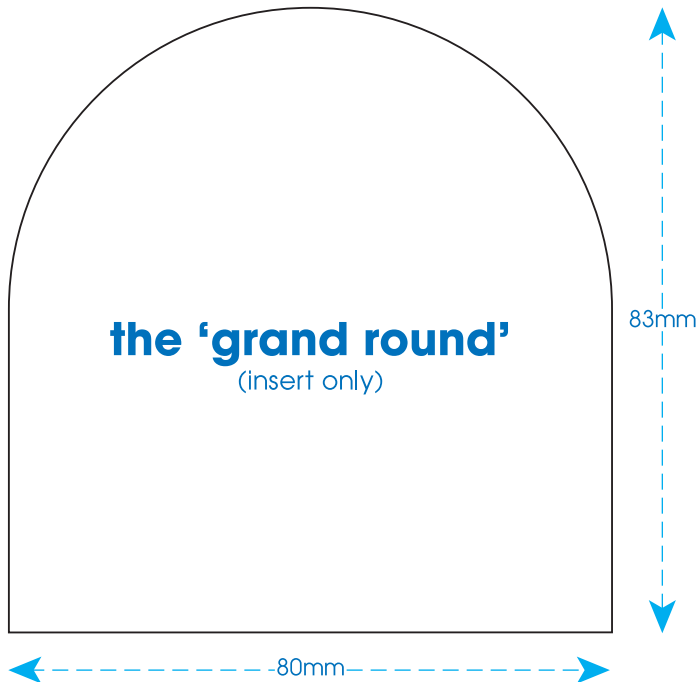


# technical specifications

for the 'grand round' snowglobe (insert)

[www.snowglobes.co.uk](http://www.snowglobes.co.uk)

insert dimensions:



## what do we need from you:

1. your logo/graphics in a digital form, ideally .eps format\* (if not; .jpg or .fh8). min. resolution: 300 dpi at final size.
2. confirm the size that the image, text or logo is to be printed on the snowglobe.
3. confirm any pantone® colour(s) for the graphics/logos going on the insert and/or on the base.

\* ideally adobe illustrator .eps format saved back to version CS1 (v.11) if possible (embed graphics, outline all fonts).

**t: +44 (0)1865 744 711 | e: [sales@snowglobes.co.uk](mailto:sales@snowglobes.co.uk)**

**delivery:** to one uk address (rates vary) | **terms:** payment with order | **vat:** all UK orders subject to vat @ 17.5%

• finest quality • low minimum order quantities • 4-6 weeks lead time • made in the eu

